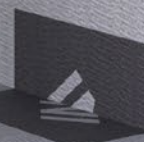


# SOLUTIONS FOR WINDOWS



rothoblaas



rothoblaas

rothoblaas

Solutions for Building Technology

# MBS

## SELF-TAPPING SCREW WITH CYLINDRICAL HEAD FOR MASONRY

### HI-LOW THREADING

Appropriate for direct fastening on compact and semi-solid materials: natural stone, concrete, solid bricks and hollow bricks.

### WOOD FRAMES

Thanks to the cylindrical head, it is ideal for fastening wood frames directly to brickwork supports.

Available also with countersunk flat head: suitable for of PVC and aluminum profile fastening.



# SHS

## SMALL HEAD SCREW

### INVISIBLE HEAD

Hidden 60° head for easy insertion in small spaces without creating openings in the wood.

### FASTENING ON TONGUE AND GROOVE BOARDS

Ideal for use in joints to secure beads or small elements.

Available also in version AISI410 martensitic stainless steel.



# SKR - SKS

## CONCRETE SCREWS

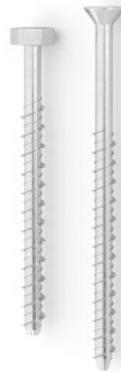
### RAPID DRY SYSTEM

Fast and easy operation. The special threading requires a small pre-drill and guarantees fastening on concrete without creating expansion stresses in the concrete. Reduced minimum distances.

### SKR EVO - SKS EVO

For some sizes, a version is available with special surface treatment to improve corrosion resistance of the externally exposed head.

The version with CE marking is certified for applications on cracked and uncracked concrete and in the C2 seismic performance category.



# WBR

## ANGLE BRACKETS FOR BUILDINGS

### COMPLETE RANGE

A simple but effective component. Available in a full range of sizes, making it suitable for numerous applications.

### CERTIFIED STRENGTH

Ideal for structural joints which require tensile, shear and rocking capacity.

### TIMBER AND CONCRETE

Due to the quantity and arrangement of the fastening holes, it can be used for both timber to timber, and timber to concrete connections.



## PLASTER BAND IN

SINGLE-SIDED TAPE FOR INDOOR USE,  
CAN BE PLASTERED

### INDOOR

Thanks to its special structure, it controls the flow of water vapour, achieving perfect airtightness

### CAN BE PLASTERED

Technical fabric perfect for application under plaster, also on porous surfaces, thanks to excellent adhesiveness



## PLASTER BAND OUT

SINGLE-SIDED TAPE FOR EXTERNAL USE,  
CAN BE PLASTERED

### OUTDOOR

Breathable support, avoids accumulation of condensation in the window node, maintaining air protection

### VERSATILE

Thanks to excellent adhesiveness, ideal for application on most surfaces, even at low temperatures



## SEAL BAND

SINGLE-SIDED TAPE FOR INDOOR USE



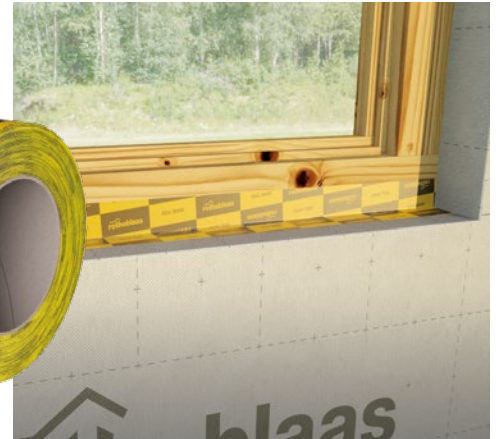
### PRACTICAL

For simple sealing of corners, edges and other special nodes, the double liner makes installation easier

### EFFECTIVE

Impregnated paper support, ideal for internal use; airtightness guaranteed over time

Available in versions with liner split up into two or three parts, it simplifies application on edges, corners and other critical nodes, while the impregnated paper support guarantees great workability and quick application.



## FLEXI BAND

UNIVERSAL SINGLE-SIDED  
HIGH-ADHESIVE TAPE



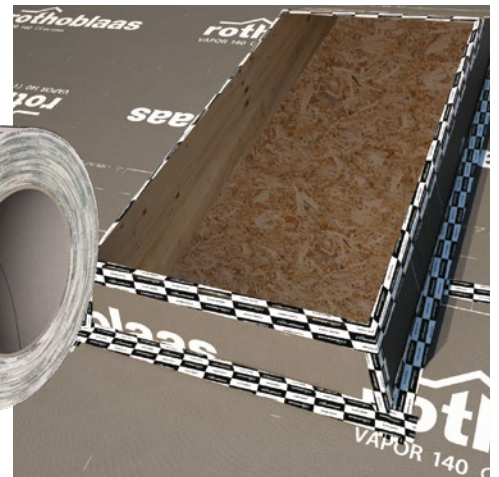
### UNIVERSAL

Excellent adhesive force and resistance on all surfaces

### HIGH PERFORMANCE

Guaranteed adhesion over time, even on dusty, porous or damp surfaces

The larger versions are perfect for sealing chimneys, windows, membranes on plaster or on concrete, and has many other uses.



# SMART BAND

UNIVERSAL SINGLE-SIDED TAPE  
WITH SEPARABLE LINER



## SPECIAL LINER

The product has a unique separating film which can be divided at any point without pre-cutting. It's particularly resistant to tearing and mechanical stress, thanks to its high elasticity.

## FLASHING TAPE

It meets all the requirements to be classified as a tape for sealing external doors or windows, ensuring maximum safety even in case of stagnating water.



# EXPAND BAND

SELF-EXPANDING SEALING TAPE

DIN 18542  
BG1

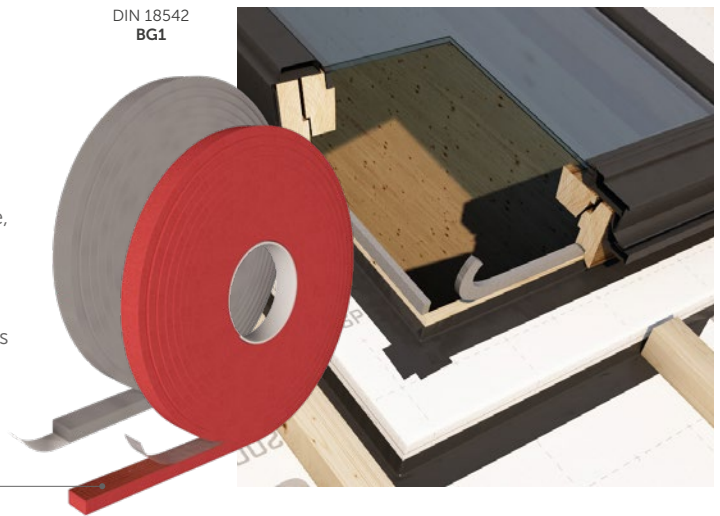
## PERMANENT ELASTIC EXPANSION

The tape self-expansion remains elastic and unchanged over time, providing protection from water, dust and wind.

## SAFETY

The modified polyurethane foam has passed the most stringent tests on harmful emissions, ensuring safe installation even indoors.

Available in EVO version with special film that keeps its shape without self-expanding as long as it is rolled up.



# WINDOW BAND

SELF-EXPANDING SEALING TAPE FOR  
WINDOWS/DOORS

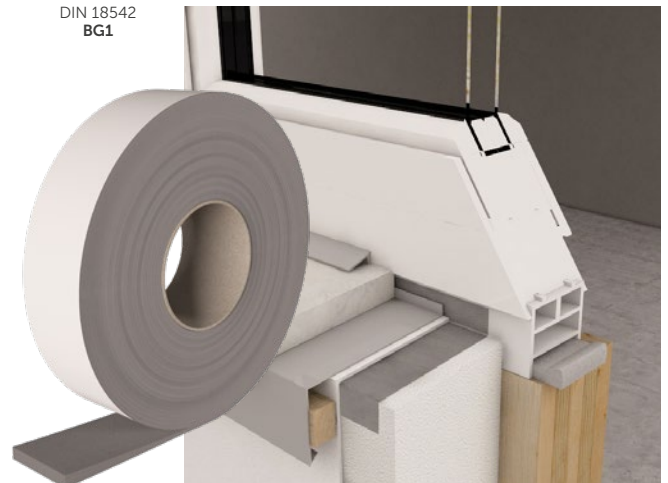
DIN 18542  
BG1

## TRIPLE PROTECTION

It seals the joints of doors and windows from air and heavy rain while maintaining the thermal-acoustic properties over the entire depth.

## SELF-EXPANDING

Seals cracks between 6 and 15 mm, adjusting to the surface, and also ensures air and water tightness, serving as a vapour control layer.



# FRAME BAND

SELF-EXPANDING SEALING TAPE  
FOR WINDOWS/DOORS



DIN 18542  
BG1

## HERMETIC

Airtight and watertight, it interrupts possible acoustic bridges in the structure-window joint.

## PRACTICAL

Thanks to the adhesive strip, application is easy and precise without the need for further glue.



# HERMETIC FOAM

HIGH PERFORMING SOUNDPROOFING SEALING FOAM



## CERTIFIED NOISE REDUCTION

Up to 63 dB noise reduction, certified by the IFT Rosenheim institution (ISO 10140-1).

## AIRTIGHT EVEN AFTER TRIMMING

Waterproof and airtight, even if trimmed after hardening, thanks to the closed-cell structure.



GLOVES INCLUDED



# FLUID MEMBRANE

SYNTHETIC SEALING MEMBRANE FOR BRUSH AND SPRAY APPLICATION



## FLEXIBLE

The synthetic resin mix is elastic and resistant to any movement of the sealed cracks.

## FAST INSTALLATION

It can be applied using a roller, brush or spray with the possibility of inserting a synthetic reinforcing fabric. Removable with hot water.



# PRIMER SPRAY

UNIVERSAL SPRAY PRIMER FOR ACRYLIC ADHESIVE TAPES

## INSTANTANEOUS

Thanks to spray can application and the adjustable nozzle, no brushes or other equipment is needed for installation.

## HIGH PERFORMANCE

At a distance of approx. 30 - 50 cm from the surface approx. 6 cm of attaching area is achieved.

*Ideal for use with Rothblaas tapes.*



## WINBAG

INFLATABLE AIR CUSHION WITH HAND PUMP MADE OF FIBRE-REINFORCED SYNTHETIC MATERIAL



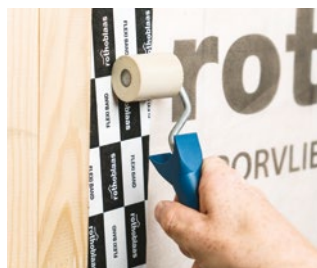
## FLY FOAM

AUTOMATIC LONG TUBE GUN FOR HERMETIC FOAMS



## ROLLER

ROLL FOR TAPES



## KOMPRI CLAMP

EXPANDING TAPE STAPLE





Solutions for Building Technology

- FASTENING
- AIRTIGHTNESS AND WATERPROOFING
- SOUNDPROOFING
- FALL PROTECTION
- TOOLS AND MACHINES

Rothoblaas is the multinational Italian company that has made innovative technology its mission, making its way to the forefront for timber buildings and construction safety in just a few years. Thanks to its comprehensive product range and the technically-prepared and widespread sales network, the company promotes the transfer of its know-how to the customers and aims to be a prominent and reliable partner for developing and innovating products and building methods. All of this contributes to a new culture of sustainable construction, focused on increasing comfortable living and reducing CO<sub>2</sub> emissions.

#### Rotho Blaas Srl

Via dell'Adige N.2/1 | 39040, Cortaccia (BZ) | Italia  
Tel: +39 0471 81 84 00 | Fax: +39 0471 81 84 84  
info@rothoblaas.com | www.rothoblaas.com

